

RCL-03



MAQUINAS Y CONSUMIBLES PARA CAMPOS DE TIRO SL

Autor	MYC para Campos de Tiro SL
Versión	V1
Idioma	ENGLISH
Fecha	Enero 2024

INDEX

1 GENERA DESCRIPTION.....	3
2 MAIN PARTS	3
3 BEFORE FIRST USE.....	3
4 INSERT microRC-LO-RB TO REFEREE BOX E.PROGETTI.....	4
5 PROGRAMMING AND PAIRING.....	5
6 USE.....	6
7 SAFETY	6

1 GENERAL DESCRIPTION

The **RCL-03** is a long-distance transmitter for referee which, by inserting the microRC-LO-RB inside the PROGETTI Referee Box, is compatible with the EP095M Control Unit.

Main features:

- Range up to 500mts
- 3 buttons for marking 1er Zero, 2º Zero and NO TARGET
- Configurable frequency for Europe / USA / Canada
- Low consumption. No consumption at standby
- 3 AAA batteries
- Ergonomic design

2 MAIN PARTS



3 BEFORE FIRST USE

Set the frequency of the geographical area with the 2-position DIP.

DIP1 Select a frequency:

ON: EEUU/Canadá

OFF: Europe.

DIP2: OFF energy saving.

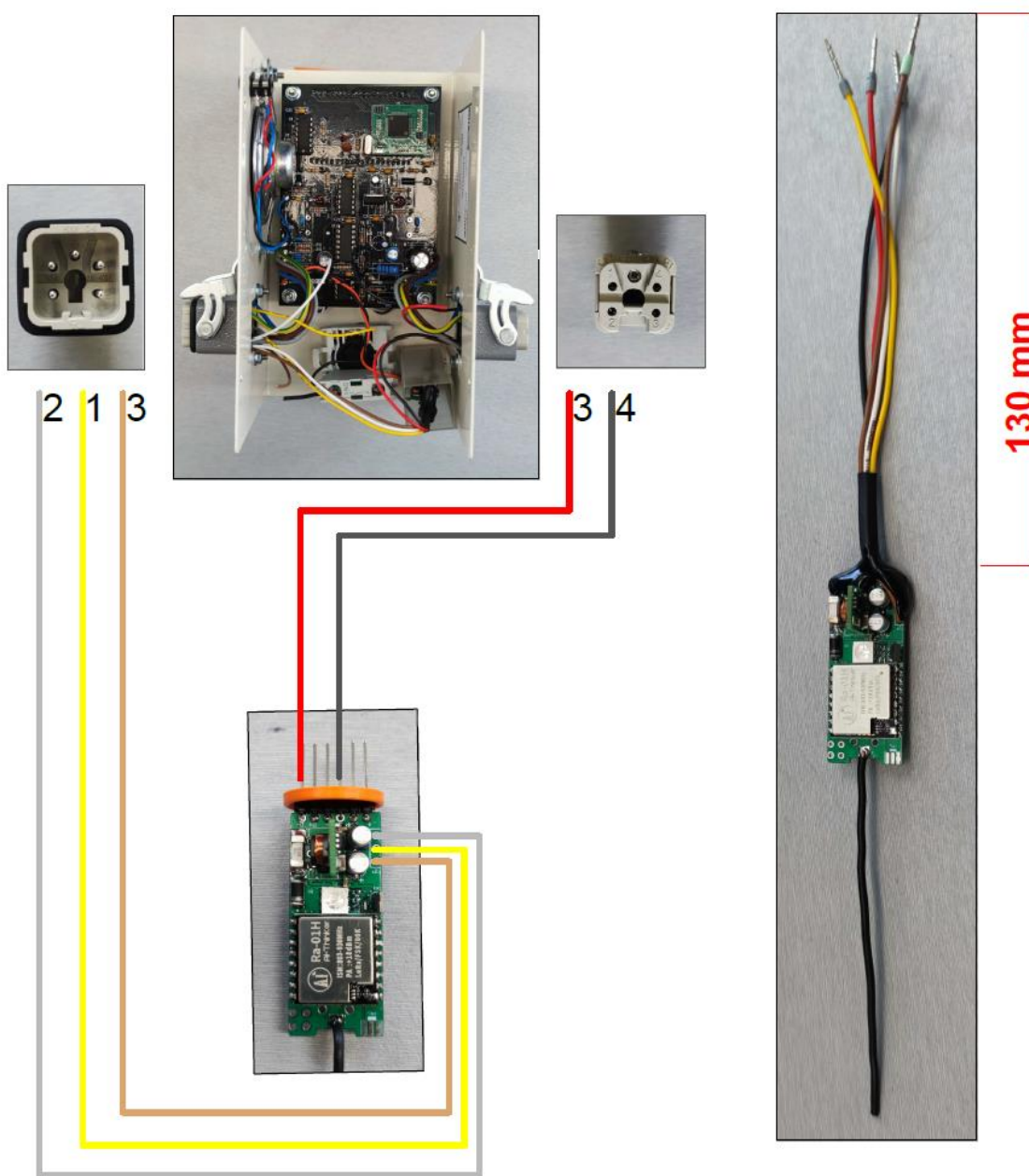
Place batteries in the correct position.

4 INSERT microRC-LO-RB TO REFEREE BOX E.PROGETTI

The microRC-LO-RP is a micro receiver that allows the PROGETTI Control Box to be connected wirelessly to the RCL-03 control

To do this, open the PROGETTI Referee Box and connect according to the scheme shown below

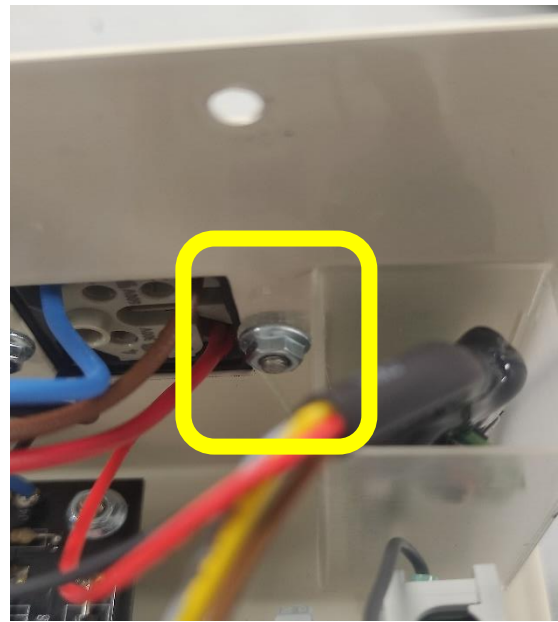
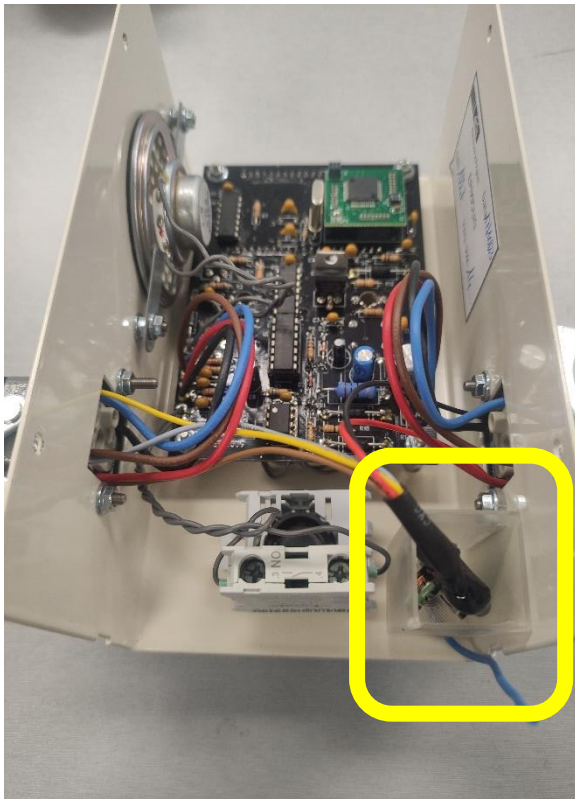
CONNECTION SCHEME



PLACEMENT

The micro receiver has a plastic capsule that serves as protection and as a fixation to the inner wall of the PROGETTI Referee Box

The following images show the location and position. The clamping is achieved by taking advantage of the clamping screw of the 5-pin female connector of the PROGETTI Referee Box



5 PROGRAMMING AND PAIRING

Once the micro receiver is connected, approach the magnet to the receiver to set the programming mode (the LED will emit a fixed blue or green light)

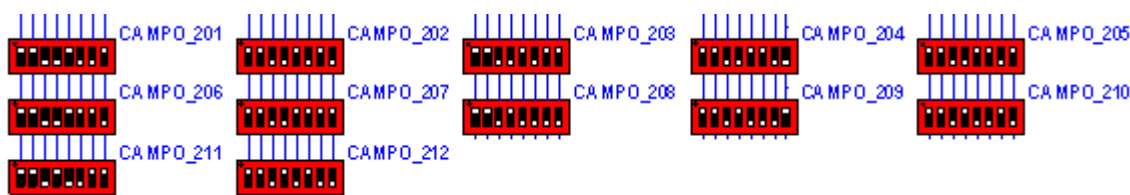
With the device about 3 meters away from the receiver, hold down the NO BIRD key. The LED will flash red. Hold down the button until the LED flashed 3 times in blue or green (depending on the frequency set) thus matching the receiver inserted in the Referee Box with the RCL-03 control.

If the LED flashes red 3 times while trying to pair it means that an error has occurred in the process

If the PROGETTI EP095M Control Unit already has an EMI-LO-EP wireless transmitter installed inside it, it is RECOMMENDED to configure the RCL-03 control (DIP 8 positions) for optimal system operation, according the following table:

EP095M	RCL-03
Range 1	Nº 201
Range 2	Nº 202
Range 3	Nº 203
Range 4	Nº 204
Range 5	Nº 205
Range 6	Nº 206
Range 7	Nº 207
Range 8	Nº 208
Range 9	Nº 209
Range 10	Nº 210
Range 11	Nº 211
Range 12	Nº 212

DETAIL OF THE SETTING TABLE



The EP095M Control Unit allows up to 60 fields, but repeats frequency every 12 so this configuration would be repeated every 12-field cycle.

For example, field 13 would be reconfigured with 201, field 14 with 202 and so on...

IMPORTANT:

This is a RECOMMENDATION for better performance of the whole system, although it is not mandatory to configure it this way

The only configuration that must never be performed is to match the field number shown on the EP095M with the field configuration on the RCL-03 as per the attached table

For example, you should never match Field 1 with Configuration 1, Field 2 with Configuration 2, etc.

This combination would affect the operation of the system

CONFIGURATION TABLE RANGES 1-60



6 USE

Once the frequency is set and the micro receiver is paired, the control is ready for use

- The Arbitrator, with this command may mark:
- Zero 1st : First Zero
- Zero 2nd : Second Zero
- NO BIRD: Target not released or not valid

Holding down the NO BIRD button it puts the EP095M Control Unit in PAUSE. Pressing again this same key resumes the run (START) the Control Unit at the same point where it had paused

7 SAFETY



Any **maintenance operation** must be carried out by **qualified personnel**.



Do not manipulate any part of the control (electronic board, battery, ...).



Always use the specified batteries.



Mandatory use of **safety goggles and hearing protection** to exercise the shot..